

Category 5e UTP Modular Plug

specifications

Category 5e/Class D, 8-position, 8-wire, UTP modular plug shall terminate most 4-pair, 24-26 AWG, 100 ohm, solid or stranded, unshielded twisted pair cable with maximum conductor insulation diameter of 0.040 in. (1.02mm). Simplified termination method shall require no load bar. Guide ramp shall facilitate easy conductor insertion and termination. Modular plug shall terminate to T568A and T568B wiring schemes.



technical information

IEC compliance:	IEC 60603-7
RoHS compliance:	Compliant
UL listed:	UL 1863
CSA listed:	CSA Standard C22.2
Conductor termination:	Compatible most with 24-26 AWG solid or stranded cable with conductor insulation diameters between 0.035 to 0.040 in.
Operating temperature:	14°F to 140°F (-10°C to 60°C)
Storage temperature:	-40°F to 158°F (-40°C to 70°C)
Plug Housing:	UL94V-0 rated clear Polycarbonate
Contacts:	Gold plated phosphor bronze

key features and benefits

Patented tangle-free latch	Prevents snags and provides easy release, saving time and providing reliability on frequent moves, adds, and changes
Robust construction	Rated to 2500 mating cycles

Category 5e UTP Modular Plug

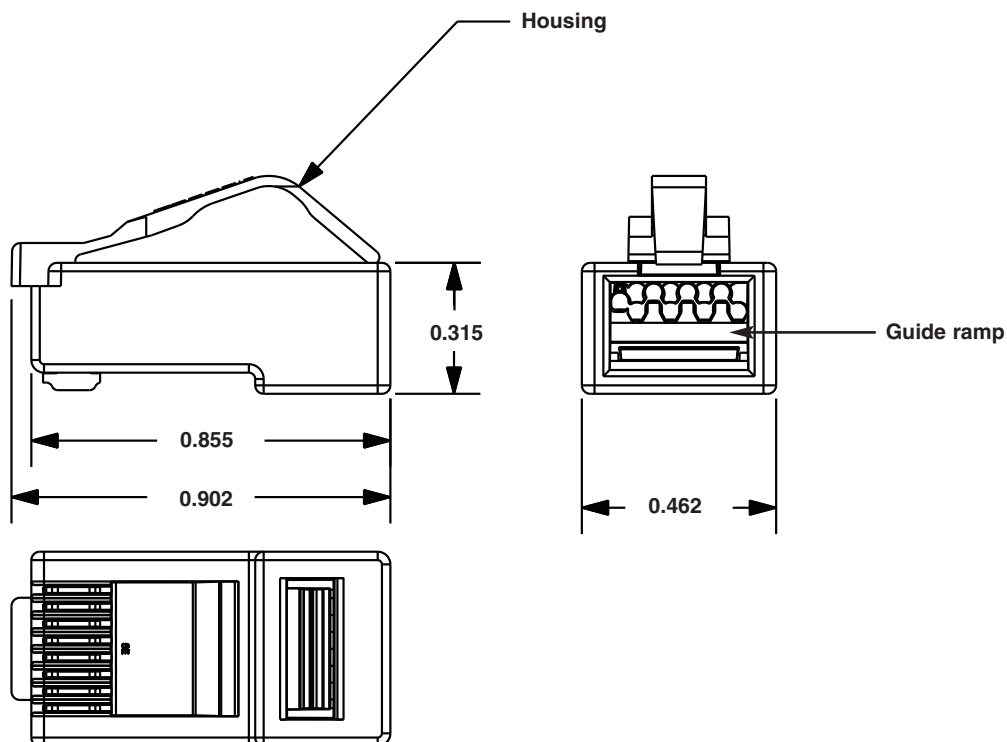
50/pack:	MP588-L
100/pack:	MP588-C
1000/pack:	MP588-M

Tools and Accessories

Crimp tool:	MPT5-8AS
Wire prep tool:	WPT-8
Standard RJ45 plug lock-in device:	PSL-DCPLX [^]
Recessed RJ45 plug lock-in device:	PSL-DCPLRX [^]

[^]For colors other than Red, add suffix -BL (Black), -BU (Blue), -GR (Green), -YL (Yellow), -OR (Orange), -IW (International White), or -IG (International Gray) to the end of the part number. 10/package. Add -C for bulk packages of 100.

Category 5e UTP Modular Plug



WORLDWIDE SUBSIDIARIES AND SALES OFFICES

PANDUIT CANADA
Markham, Ontario
cs-cdn@panduit.com
Phone: 800.777.3300

PANDUIT EUROPE LTD.
London, UK
cs-emea@panduit.com
Phone: 44.20.8601.7200

PANDUIT SINGAPORE PTE. LTD.
Republic of Singapore
cs-ap@panduit.com
Phone: 65.6305.7575

PANDUIT JAPAN
Tokyo, Japan
cs-japan@panduit.com
Phone: 81.3.6863.6000

PANDUIT LATIN AMERICA
Guadalajara, Mexico
cs-la@panduit.com
Phone: 52.33.3777.6000

PANDUIT AUSTRALIA PTY. LTD.
Victoria, Australia
cs-aus@panduit.com
Phone: 61.3.9794.9020

For a copy of Panduit product warranties, log on to www.panduit.com/warranty

For more information

Visit us at www.panduit.com

Contact Customer Service by email: cs@panduit.com
or by phone: 800.777.3300

PANDUIT[®]

©2013 Panduit Corp.
ALL RIGHTS RESERVED.
COSP294--WW-ENG
Replaces WW-COSP217
2/2013

Pan-Plug® Category 5e Shielded Modular Plug

- Meets all applicable ANSI/TIA-968-A requirements and exceeds IEC 60603-7 specifications
- Meet requirements of IEEE 802.3af and IEEE 802.3at for PoE applications
- Used in STPCH series patch cords providing Category 5e performance
- Patented tangle-free latch prevents snags and provides easy release saving time on frequent moves, adds, and changes
- Simplified termination requires no loading bar, guide ramp facilitates easy conductor insertion and termination
- Contacts plated with 50 microinches of gold for superior performance
- Shielded plug housing provides conductive path for grounding
- Terminates 24 – 26 AWG 100 ohm stranded or solid shielded cable with max. conductor insulation diameter of 0.040 in.



Part Number	Part Description	Std. Pkg. Qty.	Std. Ctn. Qty.
MPS588-C	8-position, 8-wire shielded modular plug.	100	1000

To ensure optimal performance, Panduit recommends use with other Panduit Category 5e components. MPT5-8A crimp tool required for termination, available on page B.93 of SA-NCCB51.

TX6™ PLUS Category 6 UTP Modular Plug

specifications

Category 6/Class E, 8-position, 8-wire, UTP modular plug shall terminate Panduit 4-pair, 23-24 AWG, 100 ohm, solid or stranded unshielded twisted pair patch cable with maximum conductor insulation diameter of 0.042 in. (1.07mm) and maximum jacket diameter of 0.250 in. (6.35mm).



technical information

Category 6/Class E component performance:	Exceeds ANSI/TIA Category 6 and ISO Class E performance requirements when properly terminated to Panduit Category 6 UTP copper cable
Cable jacket diameter range:	0.225 (5.72mm) – 0.250 in. (6.35mm)
Conductor insulation diameter range:	0.036 (0.91mm) – 0.042 in. (1.07mm)
FCC and ANSI compliance:	Meets ANSI/TIA-1096-A (formerly FCC Part 68)
IEC compliance:	IEC-60603-7
PoE compliance:	Supports PoE, PoE+, and proposed Type 3 and 4 PoE++ applications for up to 100 W
Safety compliance:	cULus Listed; UL 1863 and CAN/CSA-C22.2 (UL File E129886)
RoHS compliance:	Compliant
Conductor termination:	Compatible with Panduit 23-24 AWG solid or stranded Category 6 UTP patch cable
Plug Housing:	UL94V-0 rated clear Polycarbonate
Contacts:	Gold plated phosphor bronze
Operating temperature:	14°F to 140°F (-10°C to 60°C)
Storage temperature:	-40°F to 158°F (-40°C to 70°C)

key features and benefits

Patented tangle-free latch:	Prevents snags and provides easy release, saving time and providing reliability on frequent moves, adds, and changes
Robust construction	Rated to 2500 mating cycles

applications

Category 6 plugs allow customers to meet performance requirements in ISO 11801 Class E, IEEE 802.3an-2006 and ANSI/TIA-568-C.2 Category 6 standards to support transmission at speeds up to and including 1000BASE-T. These plugs can be

used in applications such as high performance workstations, 155 Mb/s ATM, 622 Mb/s ATM, 1.2 Gb/s ATM, Token Ring 4/16, digital video and broadband/baseband analog video, and Voice over IP.

Category 6 UTP Modular Plug

100/pack: SP688-C

Tools and Accessories

Termination tool: CSPT

Crimp tool: MPT5-8AS

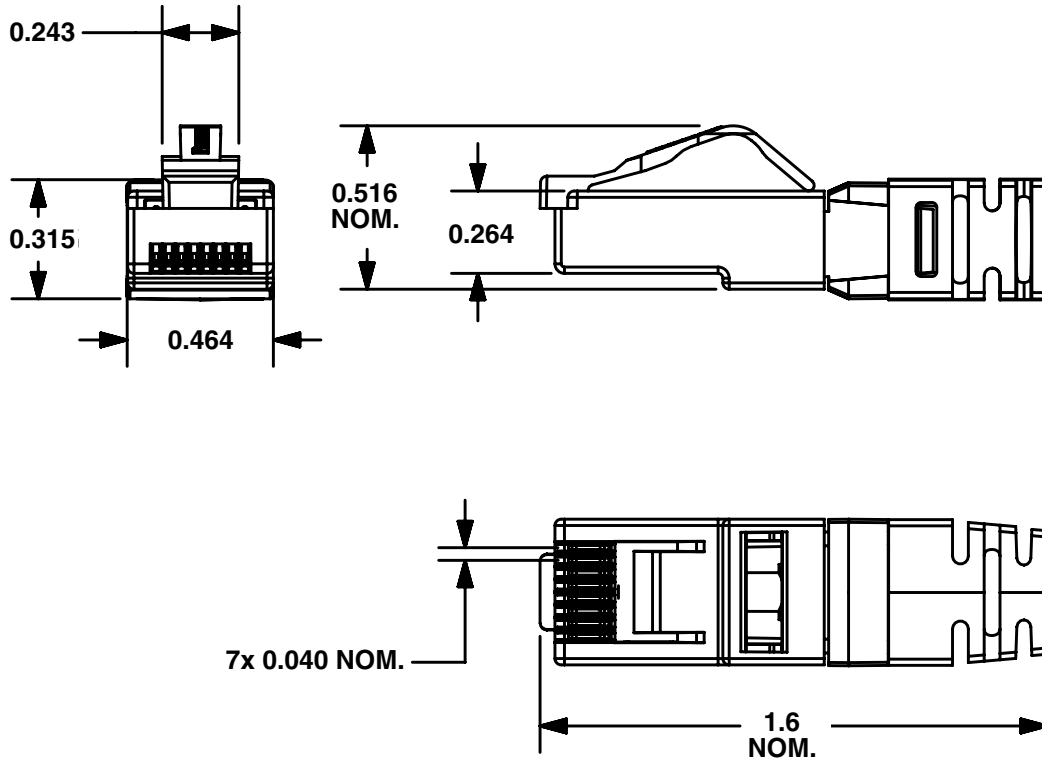
Wire prep tool: WPT-8

RJ45 plug lock-in device (standard): PSL-DCPLX[^]

RJ45 plug lock-in device (recessed): PSL-DCPLRX[^]

[^]For colors other than Red, add suffix -BL (Black), -BU (Blue), -GR (Green), -YL (Yellow), -OR (Orange), IW (Int'l White), or -IG (Int'l Gray) to the end of the part number. 10/package. Add -C for bulk packages of 100.

TX6™ PLUS Category 6 UTP Modular Plug



WORLDWIDE SUBSIDIARIES AND SALES OFFICES

PANDUIT CANADA
Markham, Ontario
cs-cdn@panduit.com
Phone: 800.777.3300

PANDUIT EUROPE LTD.
London, UK
cs-emea@panduit.com
Phone: 44.20.8601.7200

PANDUIT SINGAPORE PTE. LTD.
Republic of Singapore
cs-ap@panduit.com
Phone: 65.6305.7575

PANDUIT JAPAN
Tokyo, Japan
cs-japan@panduit.com
Phone: 81.3.6863.6000

PANDUIT LATIN AMERICA
Guadalajara, Mexico
cs-la@panduit.com
Phone: 52.33.3777.6000

PANDUIT AUSTRALIA PTY. LTD.
Victoria, Australia
cs-aus@panduit.com
Phone: 61.3.9794.9020

For a copy of Panduit product warranties, log on to www.panduit.com/warranty

For more information

Visit us at www.panduit.com

Contact Customer Service by email: cs@panduit.com
or by phone: 800.777.3300

PANDUIT®

©2015 Panduit Corp.
ALL RIGHTS RESERVED.
COSP388--WW-ENG
8/2015

TX6™ PLUS Shielded Modular Plug

- Exceeds ANSI/TIA-568-C.2 Category 6 and ISO 11801 Class E performance requirements when properly terminated to Panduit Category 6A UTP copper cable
- Meets ANSI/TIA-1096-A (formerly FCC Part 68)
- Supports IEEE 802.3af, 802.3at, and IEEE 802.3bt type 3 and 4 for PoE applications up to 100 W
- Meets IEC 60512-99-001 for 2500 cycles of engaging and separating conductors under electrical load
- Patented tangle-free latch prevents snags and provides easy release, saving time and providing reliability on frequency moves, adds, and changes
- Exceeds IEC 60603-7 specifications
- Contacts plated with 50 microinches of gold
- Operating temperature of -10°C to 65°C (14°F to 149°F)
- Shielded plug housing provides conductive path for grounding



Part Number	Part Description	Wire Gauges	Cable Diameter Range	Insulation Diameter Range	Std. Pkg. Qty.	Std. Ctn. Qty.
SPS688-C	Category 6, 8-position, 8-wire shielded modular plug.	23 – 24	0.230 (5.84mm) to 0.265 in. (6.73mm)	0.036 (0.91mm) to 0.042 in. (1.07mm)	100	1000

MPT5-8AS crimp tool required for termination, available on page 59.
 WPT-8 wire prep tool recommended for termination, available on page 59.
 For Labeling and Identification (Section M), see pages M.1 thru M.18.
 For additional product information, refer to www.panduit.com.

Pan-Plug® Category 5e Shielded Modular Plug

- Exceeds ANSI/TIA-568-C.2 Category 5e and ISO 11801 Class D performance requirements when properly terminated
- Meets ANSI/TIA-1096-A (formerly FCC Part 68)
- Supports IEEE 802.3af, 802.3at, and IEEE 802.3bt type 3 and 4 for PoE applications up to 100 W
- Meets IEC 60512-99-001 for 2500 cycles of engaging and separating conductors under electrical load
- Shielded plug housing provides conductive path for grounding
- Single piece design plugs requires no load bar and the guide ramp facilitates easy conductor insertion and termination
- Patented tangle-free latch prevents snags and provides easy release, saving time and providing reliability on frequency moves, adds, and changes
- Exceeds IEC 60603-7 specifications
- Contacts plated with 50 microinches of gold
- Operating temperature of -10°C to 65°C (14°F to 149°F)



Part Number	Part Description	Wire Gauges	Cable Diameter Range	Insulation Diameter Range	Std. Pkg. Qty.	Std. Ctn. Qty.
MPS588-C	Category 5e, 8-position, 8-wire shielded modular plug.	24 – 26	0.210 (5.33mm) to 0.250 in. (6.35mm)	Max 0.040 in. (1.02mm)	100	1000

MPT5-8AS crimp tool required for termination, available on page B.59.
 WPT-8 wire prep tool recommended for termination, available on page B.59.
 For Labeling and Identification (Section M), see pages M.1 thru M.18.
 For additional product information, refer to www.panduit.com.

- A. About Panduit
- B. Copper Systems
- C. Fiber Systems
- D. Faceplates, Outlet Frames & Surface Mount Boxes
- E. Keystone Cabling Systems
- F. Zone Cabling
- G. Cable Routing Systems
- H. Surface Raceway
- J. Cabinets, Racks & Cable Management Systems
- K. Power Management
- L. Grounding & Bonding
- M. Identification Products
- N. Cable Management Accessories
- O. Part Number Index

TX6™ PLUS 28 AWG UTP Modular Plug

specifications

Category D/Class E, 8-position, 8-wire, UTP modular plug shall terminate most 4-pair, 28 AWG, 100 ohm, solid or stranded, unshielded twisted pair cable with maximum conductor insulation diameter of 0.027 in. (0.69mm). Pair manager shall simplify termination and shall provide strain relief for small diameter, 28 AWG cable. Modular plug shall terminate to T568A and T568B wiring schemes.



technical information

ANSI/TIA and ISO compliance:	Meets TIA/EIA Category 6 and ISO Class E performance requirements for NEXT and RL when properly terminated to category compliant cable
IEC compliance:	IEC 60603-7
c(UL) listed:	UL 1863, CSA Standard C22.2
RoHS compliance:	Compliant
Conductor termination:	Compatible with most 28 AWG solid or stranded cable cables with 0.138 in. to 0.189 in. (3.50mm to 4.80mm) outer jacket diameter and 0.027 in. (0.69mm) maximum conductor insulation diameter
Operating temperature:	-14°F to 140°F (-10°C to 60°C)
Storage temperature:	-40°F to 158°F (-40°C to 70°C)
Plug housing and cable manager:	UL94V-0 rated clear Polycarbonate
Contacts:	Gold plated phosphor bronze

key features and benefits

Patented tangle-free latch	Prevents snags and provides easy release, saving time and providing reliability on frequent moves, adds, and changes
Robust construction	Rated to 2500 mating cycles

TX6™ PLUS 28 AWG UTP Modular Plug

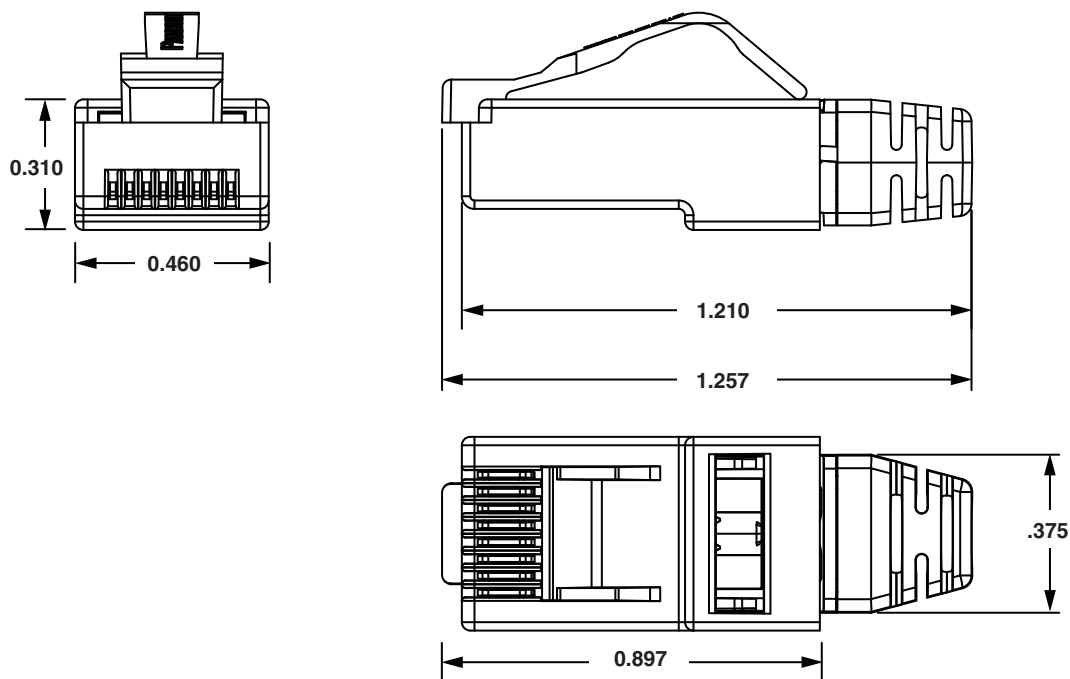
100/pack: SP628-C

Tools and Accessories

Small gauge plug assembly tool:	SGPT
Crimp tool:	MPT5-8AS
Wire prep tool:	WPT-8
Standard RJ45 plug lock-in device:	PSL-DCPLX^
Recessed RJ45 plug lock-in device:	PSL-DCPLRX^

^For colors other than Red, add suffix -BL (Black), -BU (Blue), -GR (Green), -YL (Yellow), -OR (Orange), IW (International White), or -IG (International Gray) to the end of the part number.

TX6™ PLUS 28 AWG UTP Modular Plug



WORLDWIDE SUBSIDIARIES AND SALES OFFICES

PANDUIT CANADA
Markham, Ontario
cs-cdn@panduit.com
Phone: 800.777.3300

PANDUIT EUROPE LTD.
London, UK
cs-emea@panduit.com
Phone: 44.20.8601.7200

PANDUIT SINGAPORE PTE. LTD.
Republic of Singapore
cs-ap@panduit.com
Phone: 65.6305.7575

PANDUIT JAPAN
Tokyo, Japan
cs-japan@panduit.com
Phone: 81.3.6863.6000

PANDUIT LATIN AMERICA
Guadalajara, Mexico
cs-la@panduit.com
Phone: 52.33.3777.6000

PANDUIT AUSTRALIA PTY. LTD.
Victoria, Australia
cs-aus@panduit.com
Phone: 61.3.9794.9020

For a copy of Panduit product warranties, log on to www.panduit.com/warranty

For more information

Visit us at www.panduit.com

Contact Customer Service by email: cs@panduit.com
or by phone: 800.777.3300

PANDUIT®

©2013 Panduit Corp.
ALL RIGHTS RESERVED.
COSP295--WW-ENG
Replaces WW-COSP220
1/2013

TX6™ PLUS 30 AWG UTP Modular Plug

PANDUIT®

SPECIFICATION SHEET

specifications

Category 6/Class E, 8-position, 8-wire, UTP modular plug shall terminate most 4-pair, 30 AWG, 100 ohm, stranded, unshielded twisted pair cable with maximum conductor insulation diameter of 0.021 in. (0.53mm). Pair manager simplifies termination and provides strain relief for small diameter 30 AWG cable. Modular plug shall terminate to T568A and T568B wiring schemes.



technical information

ANSI/TIA and ISO compliance:	Meets TIA/EIA Category 6 and ISO Class E performance requirements for NEXT and RL when properly terminated to category compliant cable
IEC compliance:	IEC 60603-7
c(UL) listed:	UL 1863, CSA Standard C22.2
RoHS compliance:	Compliant
Conductor termination:	Compatible with most 30 AWG stranded cables with 0.122 in. to 0.130 in. (3.10mm to 3.30mm) outer jacket diameter and 0.021 in. (0.53mm) maximum conductor insulation diameter
Operating temperature:	-14°F to 140°F (-10°C to 60°C)
Storage temperature:	-40°F to 158°F (-40°C to 70°C)
Plug housing:	UL94V-0 rated clear Polycarbonate
Cable manager:	UL94V-0 rated clear, tinted polycarbonate
Contacts:	Gold plated phosphor bronze

key features and benefits

Patented tangle-free latch	Prevents snags and provides easy release, saving time and providing reliability on frequent moves, adds, and changes
Robust construction	Rated to 2500 mating cycles

TX6™ PLUS 30 AWG UTP Modular Plug

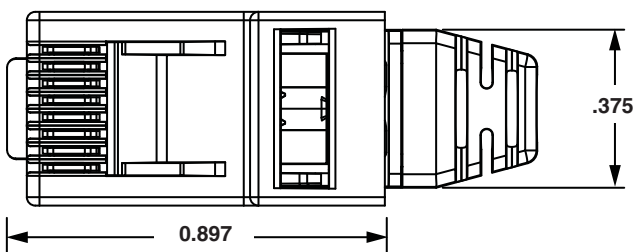
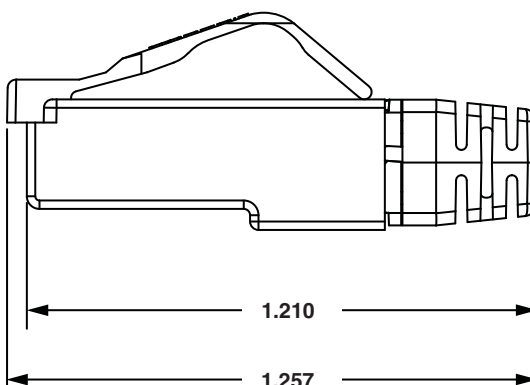
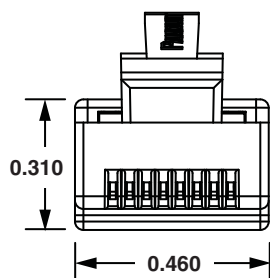
100/pack: SP630-C

Tools and Accessories

Small gauge plug assembly tool:	SGPT
Crimp tool:	MPT5-8AS
Wire prep tool:	WPT-8
Standard RJ45 plug lock-in device:	PSL-DCPLX^
Recessed RJ45 plug lock-in device:	PSL-DCPLRX^

^For colors other than Red, add suffix
-BL (Black), -BU (Blue), -GR (Green), -YL (Yellow),
-OR (Orange), IW (International White), or -IG
(International Gray) to the end of the
part number.

TX6™ PLUS 30 AWG UTP Modular Plug



WORLDWIDE SUBSIDIARIES AND SALES OFFICES

PANDUIT CANADA
Markham, Ontario
cs-cdn@panduit.com
Phone: 800.777.3300

PANDUIT EUROPE LTD.
London, UK
cs-emea@panduit.com
Phone: 44.20.8601.7200

PANDUIT SINGAPORE PTE. LTD.
Republic of Singapore
cs-ap@panduit.com
Phone: 65.6305.7575

PANDUIT JAPAN
Tokyo, Japan
cs-japan@panduit.com
Phone: 81.3.6863.6000

PANDUIT LATIN AMERICA
Guadalajara, Mexico
cs-la@panduit.com
Phone: 52.33.3777.6000

PANDUIT AUSTRALIA PTY. LTD.
Victoria, Australia
cs-aus@panduit.com
Phone: 61.3.9794.9020

For a copy of Panduit product warranties, log on to www.panduit.com/warranty

For more information

Visit us at www.panduit.com

Contact Customer Service by email: cs@panduit.com
or by phone: 800.777.3300

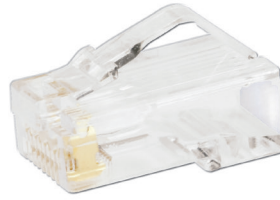
PANDUIT®

©2013 Panduit Corp.
ALL RIGHTS RESERVED.
COSP296--WW-ENG
Replaces WW-COSP221
1/2013

NetKey 1Gig UTP Modular Plug

specifications

8-position, 8-wire, UTP modular plug shall terminate most 4-pair, 24-26 AWG, 100 ohm, solid or stranded, unshielded twisted pair cable with maximum conductor insulation diameter of 0.040 in. (1.02mm). Simplified termination method shall require no load bar. Guide ramp shall facilitate easy conductor insertion and termination. Modular plug shall terminate to T568A and T568B wiring schemes.



technical information

Performance:	Meets all TIA-568-C.2 Category 5e and ISO 11801 Class D channel standard requirements Meets all TIA-568-C.2 Category 6 and ISO 11801 Class E channel requirements.
Safety compliance:	UL Listed; UL 1863 (UL File E129886)
RoHS compliance:	Compliant
Conductor termination:	Compatible most with 24-26 AWG solid or stranded cable with conductor insulation diameters between 0.035 to 0.040 in.
Plug Housing:	UL94V-0 rated clear Polycarbonate
Contacts:	Gold plated phosphor bronze
Operating temperature:	14°F to 140°F (-10°C to 60°C)
Storage temperature:	-40°F to 158°F (-40°C to 70°C)

key features and benefits

Patented tangle-free latch	Prevents snags and provides easy release, saving time and providing reliability on frequent moves, adds, and changes
Robust construction	Rated to 2500 mating cycles

NetKey 1Gig UTP Modular Plug

10/pack:	NKPLG-X
100/pack:	NKPLG-C

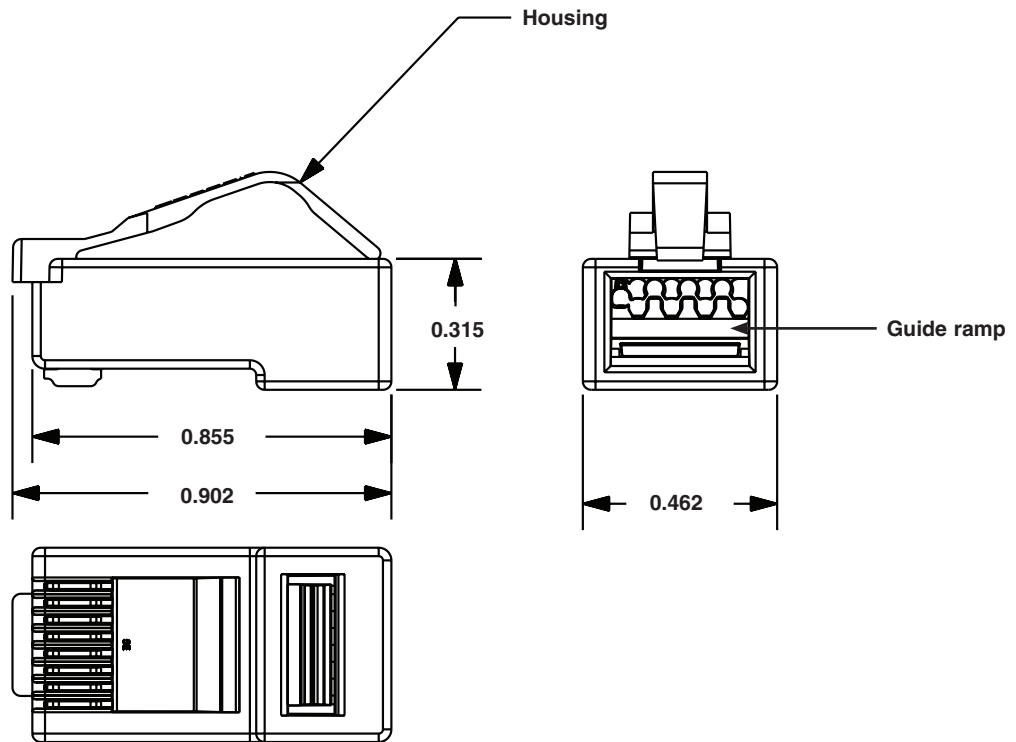
Tools and Accessories

Crimp tool:	MPT5-8AS
Wire prep tool:	WPT-8
Standard RJ45 plug lock-in device:	PSL-DCPLX [^]
Recessed RJ45 plug lock-in device:	PSL-DCPLRX [^]

[^]For colors other than Red, add suffix -BL (Black), -BU (Blue), -GR (Green), -YL (Yellow), -OR (Orange), -IW (International White), or -IG (International Gray) to the end of the part number. 10/package. Add -C for bulk packages of 100.

**cable color.

NetKey 1Gig UTP Modular Plug



WORLDWIDE SUBSIDIARIES AND SALES OFFICES

PANDUIT CANADA
Markham, Ontario
cs-cdn@panduit.com
Phone: 800.777.3300

PANDUIT EUROPE LTD.
London, UK
cs-emea@panduit.com
Phone: 44.20.8601.7200

PANDUIT SINGAPORE PTE. LTD.
Republic of Singapore
cs-ap@panduit.com
Phone: 65.6305.7575

PANDUIT JAPAN
Tokyo, Japan
cs-japan@panduit.com
Phone: 81.3.6863.6000

PANDUIT LATIN AMERICA
Guadalajara, Mexico
cs-la@panduit.com
Phone: 52.33.3777.6000

PANDUIT AUSTRALIA PTY. LTD.
Victoria, Australia
cs-aus@panduit.com
Phone: 61.3.9794.9020

For a copy of Panduit product warranties, log on to www.panduit.com/warranty

For more information

Visit us at www.panduit.com

Contact Customer Service by email: cs@panduit.com
or by phone: 800.777.3300

PANDUIT[®]

©2018 Panduit Corp.
ALL RIGHTS RESERVED.
NKSP59--WW-ENG
4/2018

Category 6A UTP Modular Plug for 23-24 AWG solid cable

specifications

Category 6A/Class E_A, 8-position, 8-wire, UTP modular plug shall terminate Panduit 4-pair, 23-24 AWG, 100 ohm, solid unshielded twisted pair patch cable with maximum conductor insulation diameter of 0.048 in. (1.22mm) and maximum jacket diameter of 0.315 in. (8.00mm).



technical information

Category 6A/Class E_A component performance:	Exceeds ANSI/TIA Category 6A and ISO Class E _A performance requirements when properly terminated to Panduit Category 6A UTP copper cable
Cable jacket diameter range:	0.275 (6.99mm) – 0.315 in. (8.00mm)
Conductor insulation diameter range:	0.040 (1.02mm) – 0.048 in. (1.22mm)
FCC and ANSI compliance:	Meets ANSI/TIA-1096-A (formerly FCC Part 68)
IEC compliance:	IEC-60603-7
PoE compliance:	Supports PoE, PoE+, and proposed Type 3 and 4 PoE++ applications for up to 100 W
RoHS compliance:	Compliant
Conductor termination:	Compatible with Panduit [®] TX6A™ 10Gig™ UTP Horizontal Copper Cable
Plug Housing:	UL94V-0 rated clear Polycarbonate
Contacts:	Gold plated phosphor bronze
Operating temperature:	14°F to 140°F (-10°C to 60°C)
Storage temperature:	-40°F to 158°F (-40°C to 70°C)

key features and benefits

Patented tangle-free latch:	Prevents snags and provides easy release, saving time and providing reliability on frequent moves, adds, and changes
Robust construction	Rated to 2500 mating cycles

applications

Category 6A plugs allow customers to meet performance requirements in ISO 11801 Class EA, IEEE 802.3an-2006 and ANSI/TIA-568-C.2 Category 6A standards to support transmission at speeds up to and including 10GBASE-T. These plugs can be used in applications with data centers and

connections to high end workstations such as stacking switches and switch-to-switch links, storage area networks, aggregation of Gigabit Ethernet channels, real-time intensive financial transactions, streaming video, animation, scientific modeling, and medical imaging.

Category 6A UTP Modular Plug

100/pack: SP6X88-C

Tools and Accessories

Termination tool: CSPT

Crimp tool: MPT5-8AS

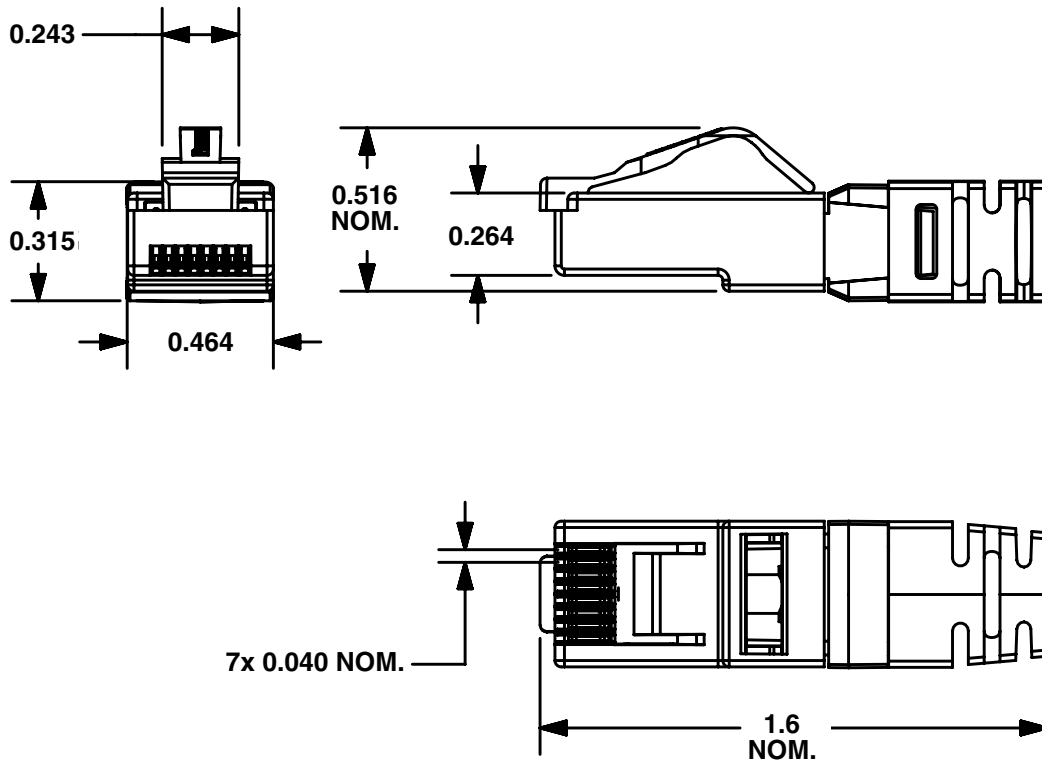
Wire prep tool: WPT-8

RJ45 plug lock-in device (standard): PSL-DCPLX[^]

RJ45 plug lock-in device (recessed): PSL-DCPLRX[^]

[^]For colors other than Red, add suffix -BL (Black), -BU (Blue), -GR (Green), -YL (Yellow), -OR (Orange), IW (Int'l White), or -IG (Int'l Gray) to the end of the part number.10/package. Add -C for bulk packages of 100.

Category 6A UTP Modular Plug for 23-24 AWG cable



WORLDWIDE SUBSIDIARIES AND SALES OFFICES

PANDUIT CANADA
Markham, Ontario
cs-cdn@panduit.com
Phone: 800.777.3300

PANDUIT EUROPE LTD.
London, UK
cs-emea@panduit.com
Phone: 44.20.8601.7200

PANDUIT SINGAPORE PTE. LTD.
Republic of Singapore
cs-ap@panduit.com
Phone: 65.6305.7575

PANDUIT JAPAN
Tokyo, Japan
cs-japan@panduit.com
Phone: 81.3.6863.6000

PANDUIT LATIN AMERICA
Guadalajara, Mexico
cs-la@panduit.com
Phone: 52.33.3777.6000

PANDUIT AUSTRALIA PTY. LTD.
Victoria, Australia
cs-aus@panduit.com
Phone: 61.3.9794.9020

For a copy of Panduit product warranties, log on to www.panduit.com/warranty

For more information

Visit us at www.panduit.com

Contact Customer Service by email: cs@panduit.com
or by phone: 800.777.3300

PANDUIT[®]

©2015 Panduit Corp.
ALL RIGHTS RESERVED.
COSP355--WW-ENG
8/2015

Category 6A UTP Modular Plug for 26 AWG solid/stranded cable

specifications

Category 6A/Class E_A, 8-position, 8-wire, UTP modular plug shall terminate Panduit 4-pair, 26 AWG, 100 ohm, solid or stranded unshielded twisted pair patch cable with maximum conductor insulation diameter of 0.034 in. (0.86mm) and maximum jacket diameter of 0.25 in. (6.35mm).



technical information

Category 6A/Class E_A component performance:	Exceeds ANSI/TIA Category 6A and ISO Class E _A performance requirements when properly terminated to Panduit Category 6A UTP copper cable
Cable jacket diameter range:	0.220 (5.59mm) – 0.250 in. (6.35mm)
Conductor insulation diameter range:	0.025 (0.64mm) – 0.034 in. (0.86mm)
FCC and ANSI compliance:	Meets ANSI/TIA-1096-A (formerly FCC Part 68)
IEC compliance:	IEC-60603-7
PoE compliance:	Supports PoE, PoE+, and proposed Type 3 and 4 PoE++ applications for up to 100 W
RoHS compliance:	Compliant
Conductor termination:	Compatible with Panduit 26 AWG solid or stranded Category 6A UTP patch cable
Plug Housing:	UL94V-0 rated clear Polycarbonate
Contacts:	Gold plated phosphor bronze
Operating temperature:	14°F to 140°F (-10°C to 60°C)
Storage temperature:	-40°F to 158°F (-40°C to 70°C)

key features and benefits

Patented tangle-free latch:	Prevents snags and provides easy release, saving time and providing reliability on frequent moves, adds, and changes
Robust construction	Rated to 2500 mating cycles

applications

Category 6A plugs allow customers to meet performance requirements in ISO 11801 Class EA, IEEE 802.3an-2006 and ANSI/TIA-568-C.2 Category 6A standards to support transmission at speeds up to and including 10GBASE-T. These plugs can be used in applications with data centers and

connections to high end workstations such as stacking switches and switch-to-switch links, storage area networks, aggregation of Gigabit Ethernet channels, real-time intensive financial transactions, streaming video, animation, scientific modeling, and medical imaging.

Category 6A UTP Modular Plug

100/pack: SP6X88SD-C

Tools and Accessories

Termination tool: CSPT

Crimp tool: MPT5-8AS

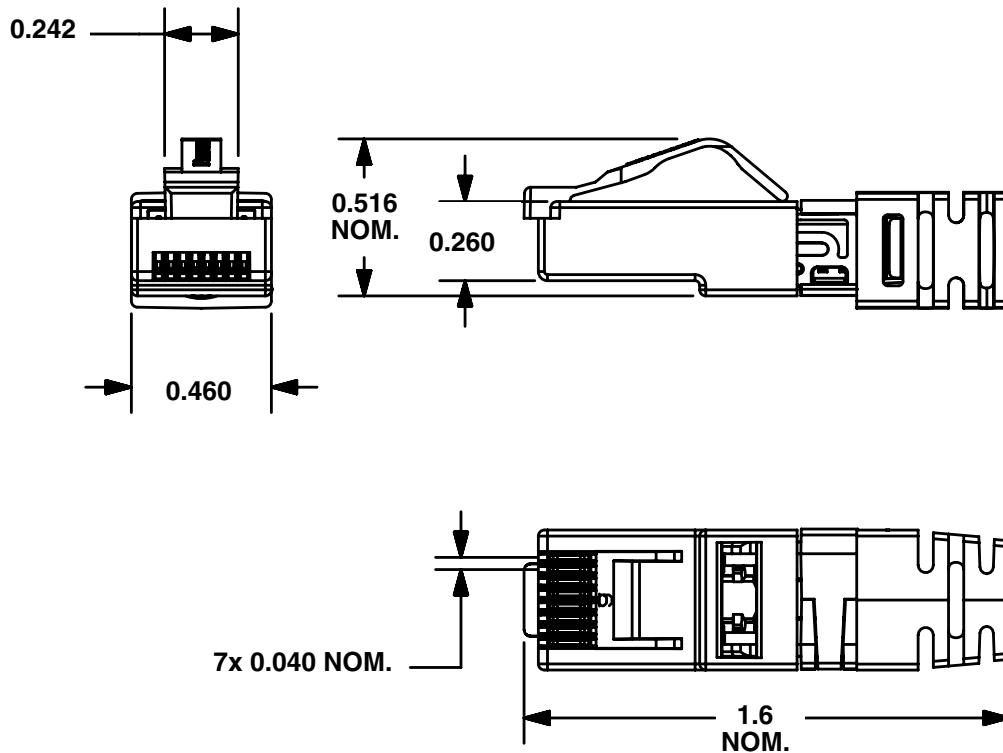
Wire prep tool: WPT-8

RJ45 plug lock-in device (standard): PSL-DCPLX[^]

RJ45 plug lock-in device (recessed): PSL-DCPLRX[^]

[^]For colors other than Red, add suffix -BL (Black), -BU (Blue), -GR (Green), -YL (Yellow), -OR (Orange), IW (Int'l White), or -IG (Int'l Gray) to the end of the part number.10/package. Add -C for bulk packages of 100.

Category 6A UTP Modular Plug for 26 AWG cable



WORLDWIDE SUBSIDIARIES AND SALES OFFICES

PANDUIT CANADA
Markham, Ontario
cs-cdn@panduit.com
Phone: 800.777.3300

PANDUIT EUROPE LTD.
London, UK
cs-emea@panduit.com
Phone: 44.20.8601.7200

PANDUIT SINGAPORE PTE. LTD.
Republic of Singapore
cs-ap@panduit.com
Phone: 65.6305.7575

PANDUIT JAPAN
Tokyo, Japan
cs-japan@panduit.com
Phone: 81.3.6863.6000

PANDUIT LATIN AMERICA
Guadalajara, Mexico
cs-la@panduit.com
Phone: 52.33.3777.6000

PANDUIT AUSTRALIA PTY. LTD.
Victoria, Australia
cs-aus@panduit.com
Phone: 61.3.9794.9020

For a copy of Panduit product warranties, log on to www.panduit.com/warranty

For more information

Visit us at www.panduit.com

Contact Customer Service by email: cs@panduit.com
or by phone: 800.777.3300

PANDUIT[®]

©2015 Panduit Corp.
ALL RIGHTS RESERVED.
COSP356--WW-ENG
8/2015

Category 6A UTP Modular Plug for 24 AWG solid/stranded patch cable

specifications

Category 6A/Class E_A, 8-position, 8-wire, UTP modular plug shall terminate Panduit 4-pair, 24 AWG, 100 ohm, solid or stranded, unshielded twisted pair patch cable with maximum conductor insulation diameter of 0.042 in. (1.07mm) and maximum jacket diameter of 0.300 in. (7.62mm).



technical information

Category 6A/Class E_A component performance:	Exceeds ANSI/TIA Category 6A and ISO Class E _A performance requirements when properly terminated to Panduit Category 6A UTP patch cable
Cable jacket diameter range:	0.260 (6.60mm) – 0.300 in. (7.62mm)
Conductor insulation diameter range:	0.036 (0.914mm) – 0.042 in. (1.07mm)
FCC and ANSI compliance:	Meets ANSI/TIA-1096-A (formerly FCC Part 68)
IEC compliance:	IEC-60603-7
PoE compliance:	Supports PoE, PoE+, and proposed Type 3 and 4 PoE++ applications for up to 100 W
RoHS compliance:	Compliant
Conductor termination:	Compatible with Panduit 24 AWG solid or stranded Category 6A UTP patch cable
Plug Housing:	UL94V-0 rated clear Polycarbonate
Contacts:	Gold plated phosphor bronze
Operating temperature:	14°F to 140°F (-10°C to 60°C)
Storage temperature:	-40°F to 158°F (-40°C to 70°C)

key features and benefits

Patented tangle-free latch:	Prevents snags and provides easy release, saving time and providing reliability on frequent moves, adds, and changes
Robust construction	Rated to 2500 mating cycles

applications

Category 6A plugs allow customers to meet performance requirements in ISO 11801 Class EA, IEEE 802.3an-2006 and ANSI/TIA-568-C.2 Category 6A standards to support transmission at speeds up to and including 10GBASE-T. These plugs can be used in applications with data centers and

connections to high end workstations such as stacking switches and switch-to-switch links, storage area networks, aggregation of Gigabit Ethernet channels, real-time intensive financial transactions, streaming video, animation, scientific modeling, and medical imaging.

Category 6A UTP Modular Plug

100/pack: SP6X88P-C

Tools and Accessories

Termination tool: CSPT

Crimp tool: MPT5-8AS

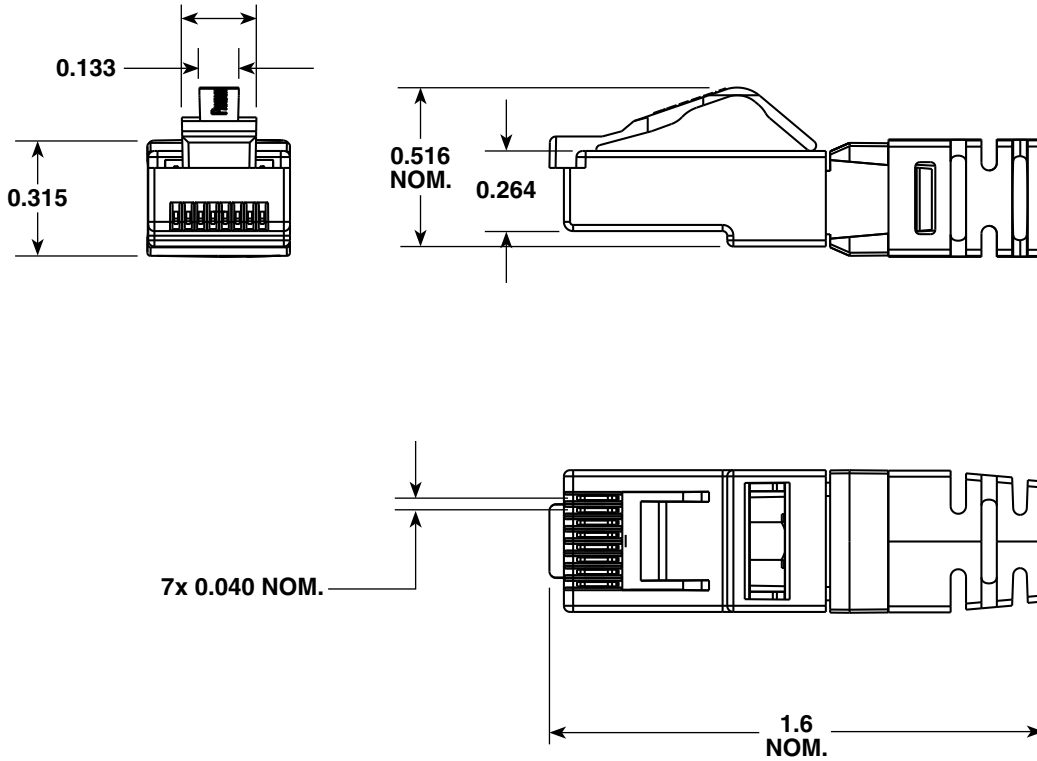
Wire prep tool: WPT-8

RJ45 plug lock-in device (standard): PSL-DCPLX[^]

RJ45 plug lock-in device (recessed): PSL-DCPLRX[^]

[^]For colors other than Red, add suffix -BL (Black), -BU (Blue), -GR (Green), -YL (Yellow), -OR (Orange), IW (Int'l White), or -IG (Int'l Gray) to the end of the part number.10/package. Add -C for bulk packages of 100.

Category 6A UTP Modular Plug for 24 AWG cable



WORLDWIDE SUBSIDIARIES AND SALES OFFICES

PANDUIT CANADA
Markham, Ontario
cs-cdn@panduit.com
Phone: 800.777.3300

PANDUIT EUROPE LTD.
London, UK
cs-emea@panduit.com
Phone: 44.20.8601.7200

PANDUIT SINGAPORE PTE. LTD.
Republic of Singapore
cs-ap@panduit.com
Phone: 65.6305.7575

PANDUIT JAPAN
Tokyo, Japan
cs-japan@panduit.com
Phone: 81.3.6863.6000

PANDUIT LATIN AMERICA
Guadalajara, Mexico
cs-la@panduit.com
Phone: 52.33.3777.6000

PANDUIT AUSTRALIA PTY. LTD.
Victoria, Australia
cs-aus@panduit.com
Phone: 61.3.9794.9020

For a copy of Panduit product warranties, log on to www.panduit.com/warranty

For more information

Visit us at www.panduit.com

Contact Customer Service by email: cs@panduit.com
or by phone: 800.777.3300

PANDUITTM

©2015 Panduit Corp.
ALL RIGHTS RESERVED.
COSP301--WW-ENG
Replaces WW-COSP217
8/2015

TX6A™ Category 6A Shielded Modular Plug

specifications

Category 6A/Class E_A, 8-position, 8-wire, shielded modular plug shall terminate Panduit 4-pair, 23-24 AWG, 100 ohm, solid or stranded shielded twisted pair cable with maximum conductor insulation diameter of 0.047 in. (1.19mm) and maximum jacket diameter of 0.300 in. (7.62mm).



technical information

Category 6A/Class E_A component performance:	Exceeds ANSI/TIA Category 6A and ISO Class E _A performance requirements when properly terminated to Panduit Category 6A F/UTP copper cable
Cable jacket diameter range:	0.275 (6.99mm) – 0.300 in. (7.62mm)
Cable compatibility:	Compatible with Panduit™ TX6A™ F/UTP Horizontal Copper Cable (PFL6X04**, PFP6X04** and PFR6X04**) ‡
FCC and ANSI compliance:	Meets ANSI/TIA-1096-A (formerly FCC Part 68) IEC compliance: IEC-60603-7
PoE compliance:	Supports PoE, PoE+, and proposed Type 3 and 4 PoE++ applications for up to 100 W
RoHS compliance:	Compliant
Conductor insulation diameter range:	0.042 (1.07mm) – 0.047 in. (1.19mm)
Plug housing:	UL94V-0 rated clear Polycarbonate
Contacts:	Gold plated phosphor bronze
Operating temperature:	14°F to 140°F (-10°C to 60°C)
Storage temperature:	-40°F to 158°F (-40°C to 70°C)

key features and benefits

Patented tangle-free latch	Prevents snags and provides easy release, saving time and providing reliability on frequent moves, adds, and changes
Robust construction	Rated to 2500 mating cycles

applications

Category 6A plugs allow customers to meet performance requirements in ISO 11801 Class EA, IEEE 802.3an-2006 and ANSI/TIA-568-C.2 Category 6A standards to support transmission at speeds up to and including 10GBASE-T. These plugs can be used in applications with data centers and

connections to high end workstations such as stacking switches and switch-to-switch links, storage area networks, aggregation of Gigabit Ethernet channels, real-time intensive financial transactions, streaming video, animation, scientific modeling, and medical imaging.

Category 6A Shielded Modular Plug

100/pack: SPS6X88-C

Tools and Accessories

Termination tool: CSPT

Crimp tool: MPT5-8AS

Wire prep tool: WPT-8

RJ45 plug lock-in device (standard): PSL-DCPLX[^]

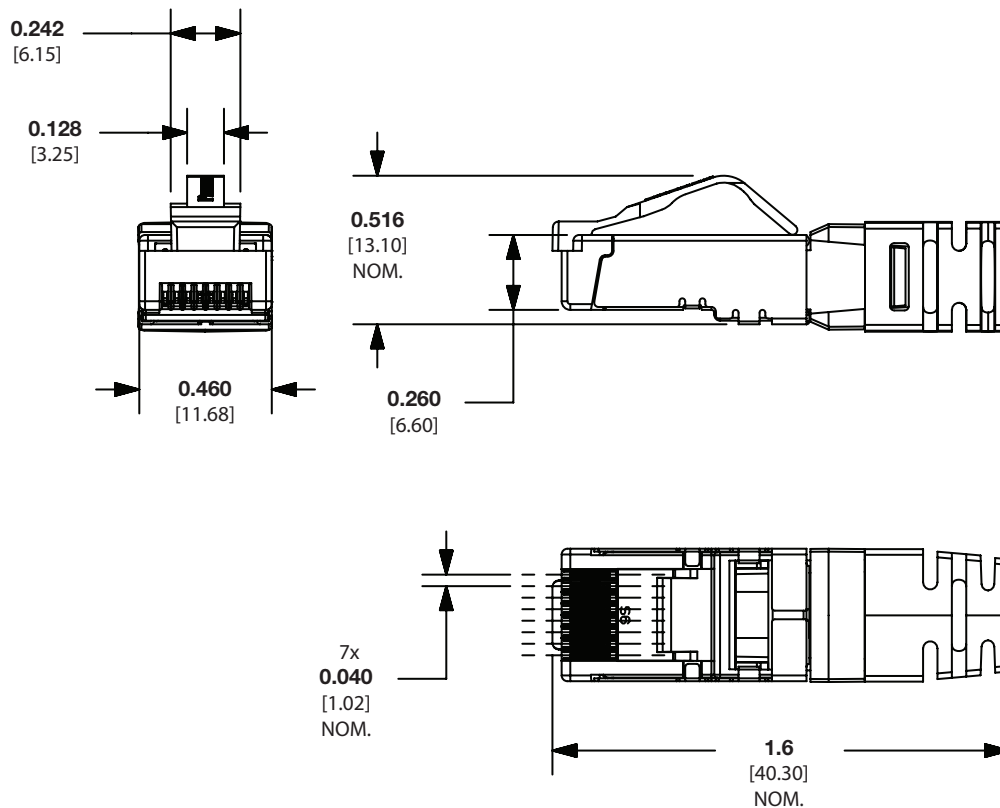
RJ45 plug lock-in device (recessed): PSL-DCPLRX[^]

[^]For colors other than Red, add suffix -BL (Black), -BU (Blue), -GR (Green), -YL (Yellow), -OR (Orange), IW (Int'l White), or -IG (Int'l Gray) to the end of the part number. 10/package. Add -C for bulk packages of 100.

^{**} For cable colors, replace** with: WH (White) or BU (Blue).

[‡] Other shielded cables which meet the dimensional requirements may work and must be evaluated by the user. Not for use with PUFL6X04**, PUF6X04**, PUFR6X04**, or PSL7004** cables.

TX6A™ Category 6A Shielded Modular Plug



Dimensions are in inches. [Dimensions in brackets are metric].

WORLDWIDE SUBSIDIARIES AND SALES OFFICES

PANDUIT CANADA
Markham, Ontario
cs-cdn@panduit.com
Phone: 800.777.3300

PANDUIT EUROPE LTD.
London, UK
cs-emea@panduit.com
Phone: 44.20.8601.7200

PANDUIT SINGAPORE PTE. LTD.
Republic of Singapore
cs-ap@panduit.com
Phone: 65.6305.7575

PANDUIT JAPAN
Tokyo, Japan
cs-japan@panduit.com
Phone: 81.3.6863.6000

PANDUIT LATIN AMERICA
Guadalajara, Mexico
cs-la@panduit.com
Phone: 52.33.3777.6000

PANDUIT AUSTRALIA PTY. LTD.
Victoria, Australia
cs-aus@panduit.com
Phone: 61.3.9794.9020

For a copy of Panduit product warranties, log on to www.panduit.com/warranty

For more information

Visit us at www.panduit.com

Contact Customer Service by email: cs@panduit.com
or by phone: 800.777.3300

PANDUIT®

© 2017 Panduit Corp.
ALL RIGHTS RESERVED.
COSP401--WW-ENG
3/7/2017

TX6A™ Category 6A UTP Field Term RJ45 Plug

specifications

The TX6A™ Category 6A UTP Field Term RJ45 Plug is a simple-to-attach plug for field termination of 4-pair unshielded twisted pair cable. Providing Category 6A performance the TX6A™ plug is also compatible with Category 6 and 5e systems. The two-piece straight and up/down angled TX6A™ plug terminates 4-pair, 22 - 26 AWG, 100 ohm unshielded twisted pair cable and uses proven TG-style forward motion termination technology to optimize performance by maintaining cable pair geometry while eliminating conductor untwist.



applications

The simple-to-attach TX6A™ Field-Term Plug is ideal for connecting the increasing number of network-powered devices requiring a plug connection to the network and where field attachment of the plug to UTP cable is desired. Typical applications include:

- Wireless access points (WAPs)
- Power over Ethernet (PoE) LED lighting
- IP security cameras and motion sensors
- Building access control points
- Network-attached Audio/Video equipment
- Other PoE or HDBASE-T powered network devices

technical information

Category 6A/Class E_A performance:	Exceeds ANSI/TIA 568-C.2 Category 6A and ISO 11801 Class E _A Channel performance requirements with up to two field term plugs in channel. Meets or exceeds proposed TIA Modular Plug Terminated Link requirements with up to two field term plugs in link
Cable compatibility:	Compatible with 4-pair, 22–26 AWG solid or stranded unshielded twisted pair cable with conductor insulation diameters of 0.060 in. maximum and overall cable O.D. 0.200 in. to 0.330 in
FCC and ANSI compliance:	Meets ANSI/TIA-1096-A (formerly FCC Part 68)
IEC compliance:	IEC 60603-7, IEC 60529 (IP 20)
RoHS compliance:	Compliant
PoE & PoH compliance:	Supports IEEE 802.3af / 802.3at (PoE/PoE+) and proposed 802.3bt type 3 and type 4 (PoE++) applications. Supports Power over HDBaseT up to 100 watts.
Plug mating cycles:	Rated to 2500 mating cycles
UL rated:	UL 1863 (Use as communications circuit accessory) UL 2043 (Suitable for use in air-handling spaces)
Operating temperature:	-40°C to +75°C (-40°F to +167°F)
Storage temperature:	-40°C to +75°C (-40°F to +167°F)
Required installation tools:	EGPT = Angled & Straight field term plug EGJT-1 = Straight only field term plug

key features and benefits

Simple two-piece assembly	Field friendly, easier to handle during field installation, saving time and reducing termination error
45° up/down angled version	Angled version allows improved cable routing in tight spaces
Slim plug profile	Easily fits in tight port spaces or high-density port configurations
22-26 AWG termination capable	Works with all commonly used solid and stranded UTP cabling
TG-style termination technology	Proven electrical performance and quick installation speed from the same forward-motion termination technology used in Panduit's Mini-Com TG modular jacks
Category 6A, 6, and 5e compatibility	High performance capability and wide cable size range enable a single plug for all common UTP cabling systems
Re-termination	Ability to re-terminate up to 20 times with no additional parts, providing convenience and cost-savings in cases when plug must be re-terminated to cable
Compact termination tools	EGPT is a fold-able, lightweight tool which terminates the straight and angled field term plugs. EGJT-1 is a fold-able, lightweight tool which terminates the straight field term plug

www.panduit.com

PANDUIT®

SPECIFICATION SHEET

TX6A™ UTP Field Term Plug

Field Term Plug (straight):	FP6X88MTG
Field Term Plug 10 pk (straight):	FP6X88MTG-X
Field Term Plug (up/down angled):	FPUD6X88MTG
Field Term Plug 10 pk (up/down angled):	FPUD6X88MTG-X

UTP Copper Cables Category 6A Copper Cable

Category 6A UTP:	PU*6AM04 series
-------------------------	-----------------

Category 6 Copper Cable

Category 6 UTP:	PU*6004 series PU*6C04 series
------------------------	----------------------------------

Category 5e Copper Cable

Category 5e UTP:	PU*5504 series PU*5C04 series
-------------------------	----------------------------------

Tools and Accessories

Termination Tool:
Works with the straight and angled Field Term Plug: EGPT

Works with the straight Field Term Plug: EGJT-1

Wire Stripping Tool: CJUST

Wire Snipping Tool: CWST

Optional Test Cord: FP6X88TC

Angled field term plug wire caps, 10 pk: CPUDCAPBL-X

Straight field term plug wire caps, 10 pk: CPCAPBL-X

* Cable flame rating:

C = CM

L = LSZH (IEC 60332-1)

P = Plenum/CMR

R = Riser/CMR

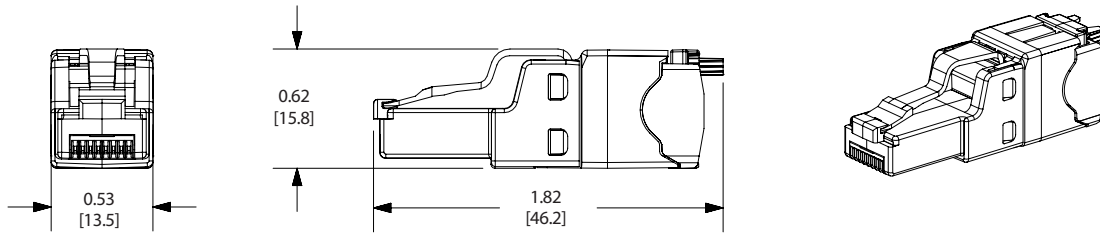
Y = EuroClass C (Only available for 6C04 Series)

Z = LSZH (IEC 60332-3) (Not available for 6C04 Series)

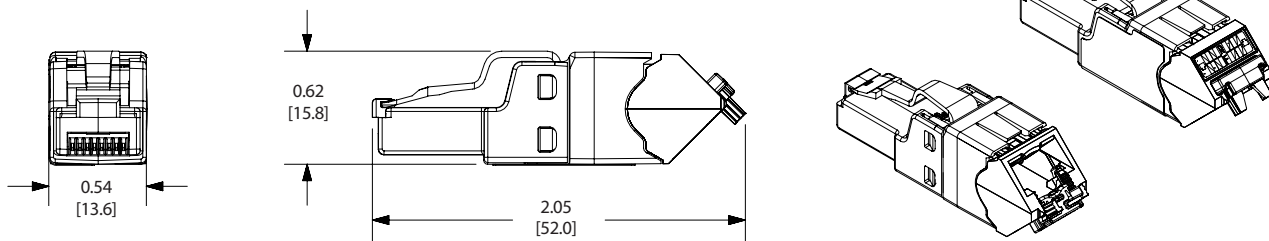
TX6A™ Category 6A UTP Field Term RJ45 Plug

Dimensions

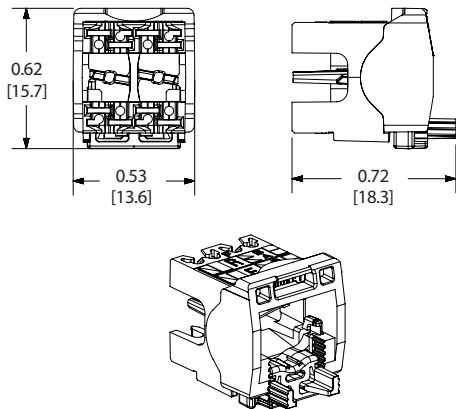
Straight Field Term Plug w/out protective cover



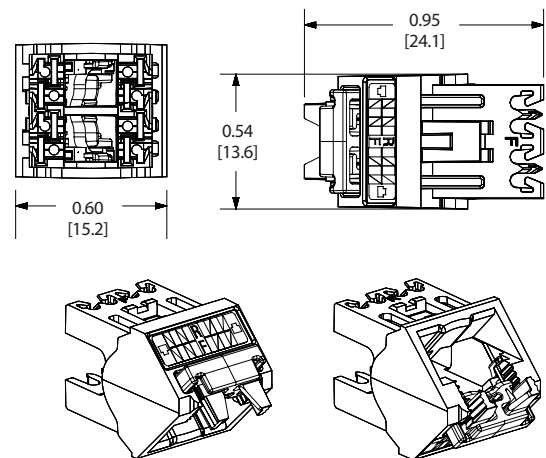
45° up/down Angled Field Term Plug w/out protective cover



Straight Wire Cap Assembly



45° Angled Up/Down Wire Cap Assembly



Dimensions are in inches. [Dimensions in brackets are metric.]

WORLDWIDE SUBSIDIARIES AND SALES OFFICES

PANDUIT US/CANADA
Phone: 800.777.3300

PANDUIT EUROPE LTD.
London, UK
Phone: 44.20.8601.7200

PANDUIT SINGAPORE PTE. LTD.
Republic of Singapore
Phone: 65.6305.7575

PANDUIT JAPAN
Tokyo, Japan
Phone: 81.3.6863.6000

PANDUIT LATIN AMERICA
Guadalajara, Mexico
Phone: 52.33.3777.6000

PANDUIT INTERNATIONAL LTD.
Victoria, Australia
Phone: 61.3.9794.9020

For a copy of Panduit product warranties, log on to www.panduit.com/warranty



For more information
Visit us at www.panduit.com

© 2018 Panduit Corp.
ALL RIGHTS RESERVED.
COSP412--WW-ENG
3/2018

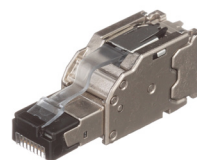
IndustrialNet™ TX6A™ Shielded Field Term RJ45 Plug



SPECIFICATION SHEET

specifications

The IndustrialNet™ TX6A™ Shielded Field Term RJ45 Plug is a simple-to-attach plug for field termination of 4-pair shielded twisted pair cable. Providing Category 6A performance the IndustrialNet™ TX6A™ plug is also compatible with Category 6 and 5e shielded systems. The two-piece straight TX6A™ shielded plug terminates 4-pair, 22 - 26 AWG, 100 ohm shielded twisted pair cable and uses proven TG-style forward motion termination technology to optimize performance by maintaining cable pair geometry while eliminating conductor untwist.



applications

The simple-to-attach IndustrialNet™ TX6A™ Shielded Field Term RJ45 Plug is ideal for connecting network-powered devices to shielded networks using MPTL links or anywhere field attachment of a plug to shielded cable is desired. Typical applications include:

- Wireless access points (WAPs)
- Power over Ethernet (PoE) LED lighting
- IP security cameras and motion sensors
- Building access control points
- Network-attached Audio/Video equipment
- Other PoE or HDBASE-T powered network devices

technical information

Category 6A/Class E_A performance:	Exceeds ANSI/TIA 568.2-D Category 6A and ISO 11801 Class E _A Channel performance requirements with up to two field term plugs in channel. Meets or exceeds TIA Modular Plug Terminated Link (MPTL) requirements with up to two field term plugs in link
Cable compatibility:	Compatible with 4-pair, 22–26 AWG solid or stranded shielded twisted pair cable with conductor insulation diameters of 0.039 in. to 0.063 in. (1.0mm to 1.6mm) and overall cable O.D. 0.230 in. to 0.354 in. (5.8mm to 9.0mm)
FCC and ANSI compliance:	Meets ANSI/TIA-1096-A (formerly FCC Part 68)
IEC compliance:	IEC 60603-7, IEC 60529 (IP 20)
RoHS compliance:	Compliant
PoE & PoH compliance:	Supports IEEE 802.3af / 802.3at (PoE/PoE+) and 802.3bt type 3 and type 4 (PoE++) applications. Supports Power over HDBaseT up to 100 watts.
Plug mating cycles:	Rated to 2500 mating cycles
UL rated:	UL 1863 (Use as communications circuit accessory) UL 2043 (Suitable for use in air-handling spaces)
Operating temperature:	-40°C to +85°C (-40°F to +185°F)
Storage temperature:	-40°C to +85°C (-40°F to +185°F)

key features and benefits

Simple two-piece assembly	Field friendly, easier to handle during field installation, saving time and reducing termination error
Slim plug profile	Easily fits in tight port spaces or high-density port configurations
22-26 AWG termination capable	Works with all commonly used solid and stranded shielded cabling
TG-style termination technology	Proven electrical performance and quick installation speed from the same forward-motion termination technology used in the Panduit Mini-Com® TG Modular Jacks
Category 6A, 6, and 5e compatibility	High performance capability and wide cable size range enable a single plug for all common shielded cabling systems
Re-termination	Ability to re-terminate up to 20 times with no additional parts, providing convenience and cost-savings in cases when plug must be re-terminated to cable
Compact termination tools	EGPT is fold-able and lightweight (tool sold separately)

IndustrialNet™ TX6A™ Shielded Field Term Plug	
Field Term Plug:	FPS6X88MTG
Field Term Plug 10 pk:	FPS6X88MTG-X
IndustrialNet™ Category 6A SF/UTP Copper Cable CM 4-pair:	ISFCH6X04ATL-UG
IndustrialNet™ Category 5e SF/UTP Copper Cable CM 4-pair:	ISFCH5C04ATL-UG
IndustrialNet™ Category 5e F/UTP Copper Cable CM 4-pair/color Black:	IFC5C04BBL-CEG
IndustrialNet™ Category 5e U/UTP Copper Cable CM 4-pair/color Black:	IUC5C04ABL-CEG
IndustrialNet™ Category 6 F/UTP Copper Cable CM 4-pair/color Black:	IFC6C04BBL-CEG
IndustrialNet™ Category 6 U/UTP Copper Cable CM 4-pair/color Black:	IUC6C04ABL-CEG
IndustrialNet™ Category 6 S/FTP Copper Cable Flame retardant, halogen-free 4-pair/color Yellow:	ISX6X04AYL-LED
4-pair/color Red:	ISX6X04ARD-LED
IndustrialNet™ M12 X-Code Field Terminable Plug:	ISPS6X88MFA
IndustrialNet™ Category 6A Shielded 600 V-Rated Patch Cords CM/CMX outdoor:	ISTPH6X1MTL*
Mini-Com Category 6A Shielded Jack: 1-port	CJS6X88TGY
IndustrialNet™ M12 X-Code to RJ45 Panel Mount Adapter:	ICAM12XRJS
DIN Rail Patch Panel: 8-port	CDPP8RG
DIN Rail Adapter: 1-port	CADIN1IW**
Tools and Accessories	
Termination Tool:	EGPT or EGJT-1
Wire Stripping Tool:	CJAST
Wire Snipping Tool:	CWST
Optional Test Cord:	FPS6X88TC
Shielded Straight Field Term Plug Wire Caps 10 pk:	CPSCAPBL-X

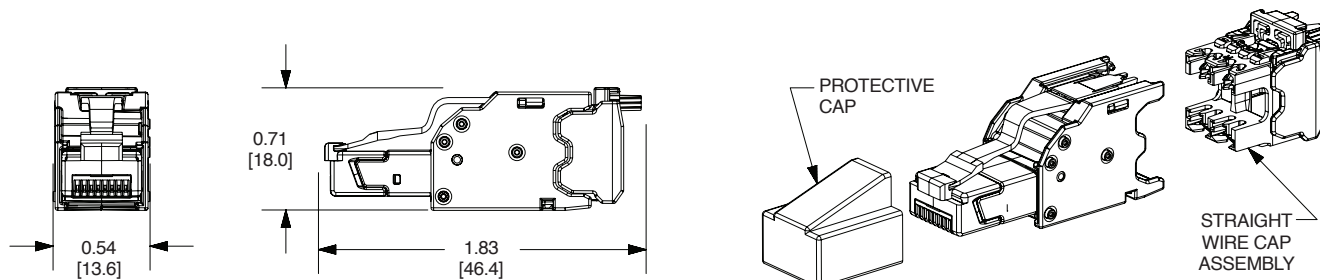
*For other lengths, change the length designation (1M) of the part number to the desired length (0.3M, 0.6M, 1.5M, 2M, 2.5M, 3M, 3.5M, 4M, 4.5M, 5M, 7M, or 10M); to designate color, replace TL (Teal) suffix with BL (Black). For example, the part number of a 2-meter black patch cord is ISTPH6X2MBL.

**For standard colors other than Off White, replace IW in part number with BL (Black), EI (Electric Ivory), IG (International Gray), or WH (White).

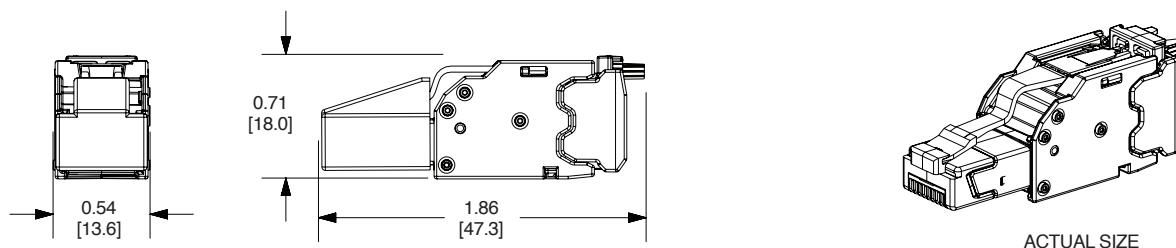
IndustrialNet™ TX6A™ Shielded Field Term RJ45 Plug

Dimensions

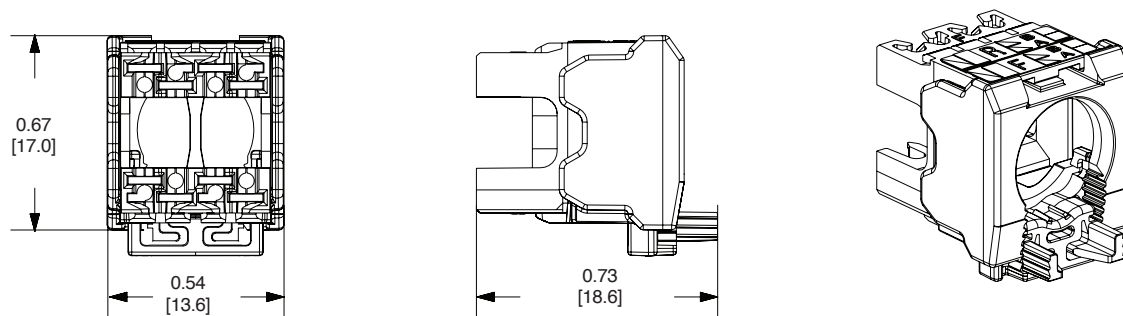
Shielded Field Term Plug “without” Protective Cap



Shielded Field Term Plug “with” Protective Cap



Shielded Straight Wire Cap Assembly



Dimensions are in inches [Dimensions in brackets are metric]

WORLDWIDE SUBSIDIARIES AND SALES OFFICES

PANDUIT US/CANADA
Phone: 800.777.3300

PANDUIT EUROPE LTD.
London, UK
Phone: 44.20.8601.7200

PANDUIT SINGAPORE PTE. LTD.
Republic of Singapore
Phone: 65.6305.7575

PANDUIT JAPAN
Tokyo, Japan
Phone: 81.3.6863.6000

PANDUIT LATIN AMERICA
Guadalajara, Mexico
Phone: 52.33.3777.6000

PANDUIT AUSTRALIA PTY. LTD.
Victoria, Australia
Phone: 61.3.9794.9020

For a copy of Panduit product warranties, log on to www.panduit.com/warranty

For more information

Visit us at www.panduit.com

PANDUIT®

© 2019 Panduit Corp.
ALL RIGHTS RESERVED.
COSP463--WW-ENG
1/2019

IndustrialNet™ Category 6A RJ45 Field Terminable Plug

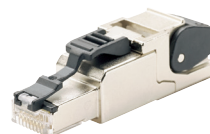
PANDUIT®

SPECIFICATION SHEET

specifications



8-position, industrial plug shall be applicable for use in manufacturing as well as other industrial environments. The product shall meet or exceed the component requirements of the ANSI/TIA-568-C.2 Category 6 and Category 5e, ISO 11801 Class E and Class D, and ODVA Ethernet/IP[^], PROFINET, and CC-Link standards. It shall also meet the channel requirements of ANSI/TIA-568-C.2 Category 6A and ISO 11801 2nd Edition Class E_A in a 4-connector configuration up to 100 meters at swept frequencies up to 500MHz when installed with other Panduit Category 6A components. The RJ45 plug shall be constructed of zinc die cast housing with 360° shielding and shall include a dust cap. The plug shall incorporate an ingress protection rating of IP20 and offer an extended temperature range as required for more demanding applications. The plug shall be capable of termination to either a 2-pair or 4-pair solid or stranded twisted pair copper cable.



technical information

Electrical/mechanical performance:	Exceeds channel and patch cord requirements of ANSI/TIA-568-C.2 Category 6 and Category 5e, and ISO 11801 Class E and Class D standards at swept frequencies up to 250MHz and 100MHz respectively and conforms to ODVA Ethernet/IP [^] , PROFINET and CC-Link electrical and mechanical performance requirements when installed with other Panduit components. Meets the channel requirements of ANSI/TIA-568-C.2 Category 6A and ISO 11801 2nd Edition Class E _A in a 4-connector configuration up to 100 meters at swept frequencies up to 500MHz when installed with other Panduit Category 6A components.
UL/IEC compliance:	Meets UL 1863 and IEC 60603-7-51
IP compliance:	Rated IP20
RoHS compliancy status:	Compliant
PoE compliance:	Meets IEEE 802.3af and IEEE 802.3at for PoE applications
Temperature rating:	-40°C to 85°C (-40°F to 185°F) operating and storage
Wiring scheme:	T568A/T568B
Conductor termination range:	ISPS688FA: Solid 24/1-22/1 AWG, 0.020 in.-0.025 in. (0.51mm-0.64mm); Stranded 27/7-22/7 AWG, 0.018 in.-0.030 in. (0.46mm-0.76mm); Stranded 24/19-22/19 AWG, 0.024 in.-0.031 in. (0.61mm-0.78mm) ISPS688FAS: Solid 26/1-24/1 AWG, 0.016 in.-0.020 in. (0.41mm-0.51mm); Stranded 27/7-24/7 AWG, 0.018 in.-0.024 in. (0.46mm-0.61mm); Stranded 26/19 AWG, 0.020 in. (0.51mm)
Insulation termination range:	ISPS688FA: 1.0 – 1.6mm (0.039 – 0.063 in.) ISPS688FAS: 0.85 – 1.0mm (0.033 – 0.039 in.)
Cable jacket diameter range:	5.0 – 9.0mm (0.197 – 0.354 in.)
Packaging:	1 unit per PE bag, 10 units per carton

key features and benefits

Robust construction	Zinc die cast housing with 360° shielding and full metal shielding between wire pairs; secure data transmission in high noise (EMI/RFI) environments; dust cap protection; three strain relief settings (cable diameters 5.0mm to 9.0mm)
Field attachable	Can be assembled in 60 seconds; Knipex parallel jaw pliers, part number 86 03 250, required
Extended temperature range	-40°C to 85°C (-40°F to 185°F)

applications

IndustrialNet™ Category 6A RJ45 Field Terminable Plug provides an ideal solution to support Industrial Ethernet from the Local Area Network (LAN) based support offices to the processing devices on the plant floor, for applications up to and including 10GBASE-T Ethernet. A key component to an overall industrial Ethernet application, the plug is the interface that protects the integrity of the Ethernet data transfer from the switch or PLC out to the devices, or up to the horizontal plant backbone.

Constructed of a robust die cast housing and fully shielded, the plug is ideal for use in high noise (EMI/RFI) environments. Field attachable for on-site termination allows quick installation. The extended temperature range -40°C to 85°C (-40°F to 185°F) is ideal for use in more demanding applications such as manufacturing facilities where temperature extremes are the norm.

www.panduit.com

IndustrialNet™ Category 6A/6/5e RJ45 Field Terminable Plug for cables with 1.0-1.6mm (0.039-0.063 in.) insulation diameter

Plug: ISPS688FA
Replacement wire manager: ISPS688FA-WM

IndustrialNet™ Category 6A/6/5e RJ45 Field Terminable Plug for cables with 0.85-1.0mm (0.033-0.039 in.) insulation diameter

Plug: ISPS688FAS
Replacement wire manager: ISPS688FAS-WM

IndustrialNet™ Category 5e SF/UTP Copper Cable

CM
2-pair: ISFCH5C02A*-XG
4-pair: ISFCH5C04A*-XG

Flame retardant, halogen-free
2-pair/color Teal: ISFX5502ATL-LED
2-pair/color Red: ISFX5502ARD-LED

IndustrialNet™ Category 5e F/UTP Copper Cable

CM 4-pair/color Black: IFC5C04BBL-CEG

IndustrialNet™ Category 5e U/UTP Copper Cable

CM 4-pair/color Black: IUC5C04ABL-CEG

IndustrialNet™ Category 6 F/UTP Copper Cable

CM 4-pair/color Black: IFC6C04BBL-CEG

IndustrialNet™ Category 6 U/UTP Copper Cable

CM 4-pair/color Black: IUC6C04ABL-CEG

IndustrialNet™ Category 6 S/FTP Copper Cable

Flame retardant, halogen-free
4-pair/color Yellow: ISX6004AYL-LED
4-pair/color Red: ISX6004ARD-LED

IndustrialNet™ M12 D-Code Field Terminable Plug

Field terminable plug: ISPS5E44MFA

IndustrialNet™ Category 5e Shielded 600 V-Rated Patch Cords

CM/CMX outdoor: **ISTPHCH1MTL

IndustrialNet™ M12 D-Code to RJ45 Panel Mount Adapter

Panel mount adapter: ICAM12DRJS

Mini-Com® Modular Patch Panel

8-port: CDPP8RG

DIN Rail Adapter

1-port: CADIN1IW***

Tools and Accessories

Wire map termination tool: Kniplex 86 0325010[†] pliers

Jack module termination tool: EGJT or TGJT

Wire snipping tool: CWST

Wire stripping tool: CCAST

Clear dust cap: MDC-C

Block out device: PSL-DCJB[^]

Phone icons: CIPIW-C+

Data icons: CIDIW-C+

* To designate color, add suffix TL (Teal), BL (Black), RD (Red), BU (Blue) GY (Gray), or YL (Yellow).

** For other lengths, change the length designation (1M) of the part number to the desired length (0.3M, 0.6M, 2M, 3M, 5M, or 10M); to designate color, replace TL (Teal) suffix with BL (Black), RD (Red), or YL (Yellow). For example, the part number of a 2-meter teal patch cord is ISTPHCH2MTL.

*** For standard colors other than Off White, replace IW in part number with BL (Black), EI (Electric Ivory), IG (International Gray), or WH (White).

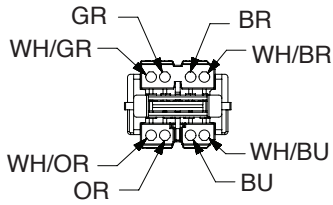
[^] EtherNet/IP is a trademark of ODVA.

^{^^} To designate color other than Red, add suffix BL (Black), BU (Blue), YL (Yellow), GR (Green), OR (Orange), IW (Off White) or IG (International Gray) at the end of the part number. 10/package.

+ To designate color other than IW (Off White), replace IW with EI (Electric Ivory), IG (International Gray), BL (Black), BU (Blue), RD (Red), YL (Yellow), GR (Green), OR (Orange), or VL (Violet) in the part number. 100/package.

IndustrialNet™ Category 6A RJ45 Field Terminable Plug

Pin Assignment T568A
According to TIA/EIA-568-C.2



Pin Assignment T568B
According to TIA/EIA-568-C.2

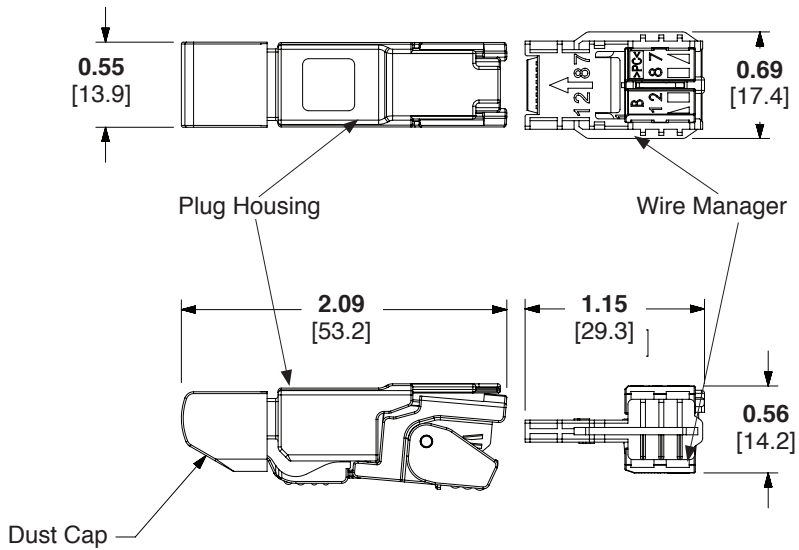
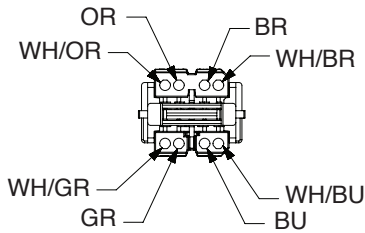


Figure Shown
Dust Cap in Place

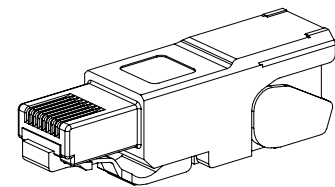
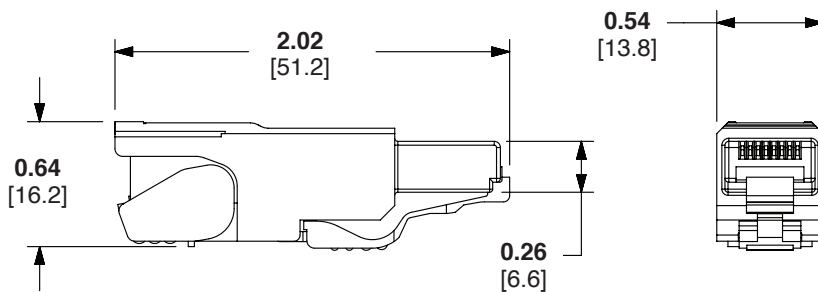
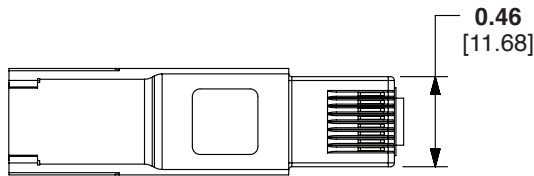


Figure Shown
Dust Cap Removed

Dimensions are in inches. [Dimensions in brackets are metric.]

WORLDWIDE SUBSIDIARIES AND SALES OFFICES

PANDUIT US/CANADA
Phone: 800.777.3300

PANDUIT EUROPE LTD.
London, UK
Phone: 44.20.8601.7200

PANDUIT SINGAPORE PTE. LTD.
Republic of Singapore
Phone: 65.6305.7575

PANDUIT JAPAN
Tokyo, Japan
Phone: 81.3.6863.6000

PANDUIT LATIN AMERICA
Guadalajara, Mexico
Phone: 52.33.3777.6000

PANDUIT AUSTRALIA PTY. LTD.
Victoria, Australia
Phone: 61.3.9794.9020

For a copy of Panduit product warranties, log on to www.panduit.com/warranty

For more information

Visit us at www.panduit.com

iai@panduit.com

PANDUIT®

©2018 Panduit Corp.
ALL RIGHTS RESERVED.
COSP339--WW-ENG
10//2018